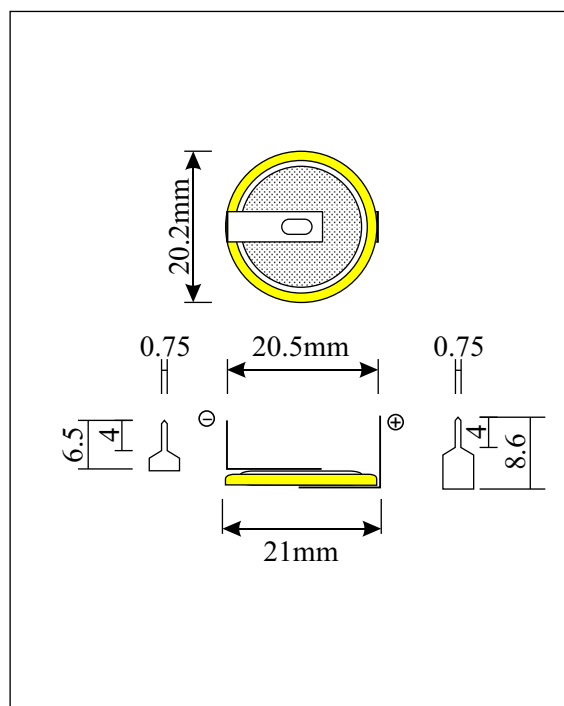
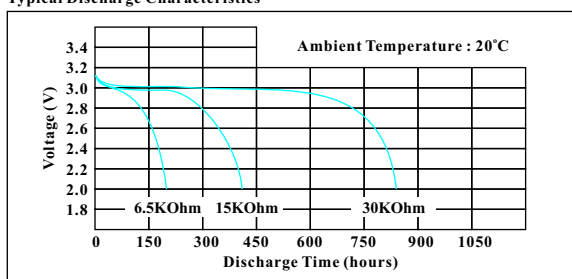


LITHIUM BATTERY

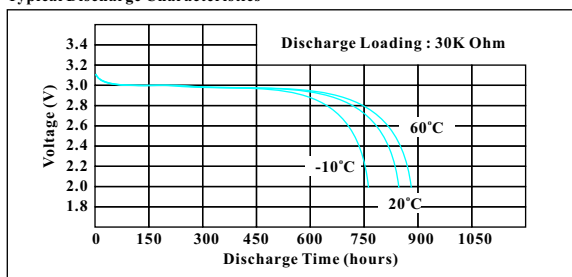
SPECIFICATIONS

Model	:	CR2016-1HF
Description	:	Lithium Coin Cell (LiMnO ₂), Mercury Free
Nominal Capacity	:	75mAh at 30K Ohm continuous discharge
Nominal Voltage	:	3.0 V
Cut-Off Voltage	:	2.0 V
Weight	:	1.8 g
Self-Life	:	1 year ex-factory
Recommended Drain	:	Pulse - 10mA Standard - 0.1mA Low - 0.002mA
Service Life	:	420 hrs at 15K Ohm continuous discharge 840 hrs at 30K Ohm continuous discharge
Application	:	Memory Backup, Electronic Watches, Calculators, Cameras, Electronic Translators, Low Power Cordless Application

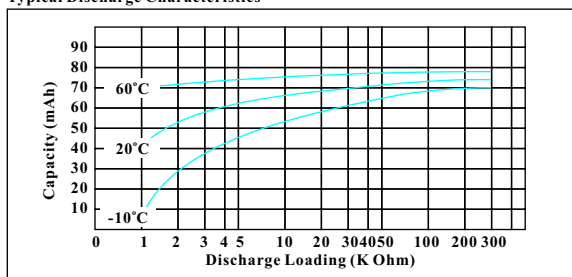
Typical Discharge Characteristics



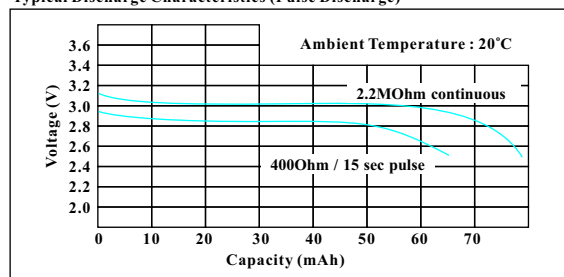
Typical Discharge Characteristics



Typical Discharge Characteristics



Typical Discharge Characteristics (Pulse Discharge)



Information is for references only.

Model : CR2016-1HF
Version : 2.1

WELL LINK INDUSTRIAL LIMITED

MDA01