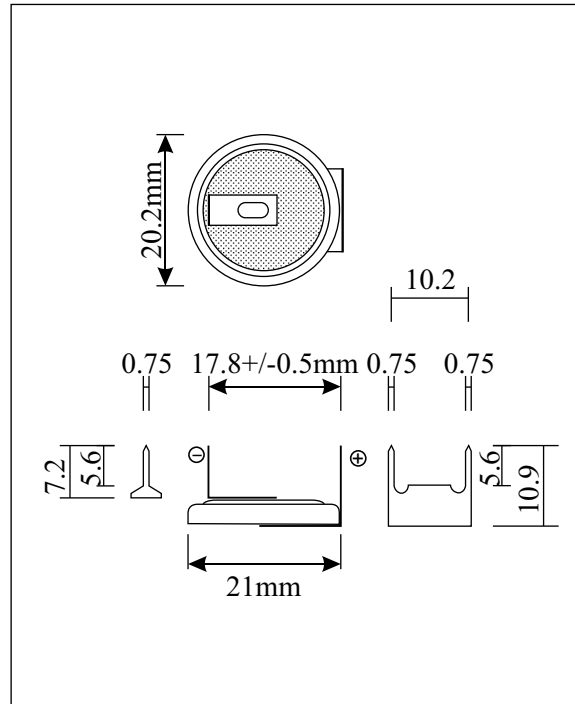
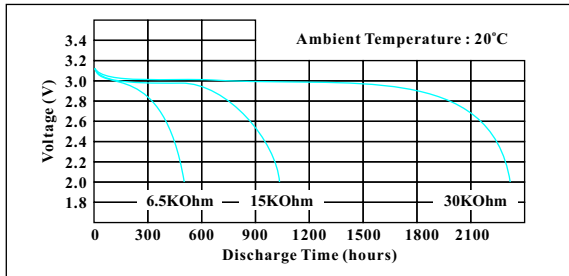


MEMORY BACKUP BATTERY - LITHIUM

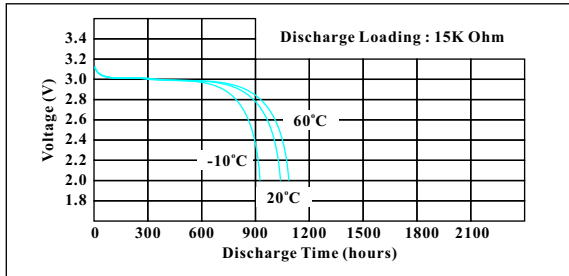
SPECIFICATIONS

| | | |
|-------------------|---|--|
| Model | : | CR2032-1GU2 |
| Description | : | Lithium Coin Cell (LiMnO ₂), Mercury Free |
| Nominal Capacity | : | 210mAh at 30K Ohm continuous discharge |
| Nominal Voltage | : | 3.0 V |
| Cut-Off Voltage | : | 2.0 V |
| Weight | : | 3.4 g |
| Self-Life | : | 1 year ex-factory |
| Recommended Drain | : | Pulse - 15mA Standard - 0.5mA Low - 0.004mA |
| Service Life | : | 1150 hrs at 15K Ohm continuous discharge 2310 hrs at 30K Ohm continuous discharge |
| Application | : | Memory Backup, Electronic Watches, Calculators, Cameras, Electronic Translators, Low Power Cordless Application |

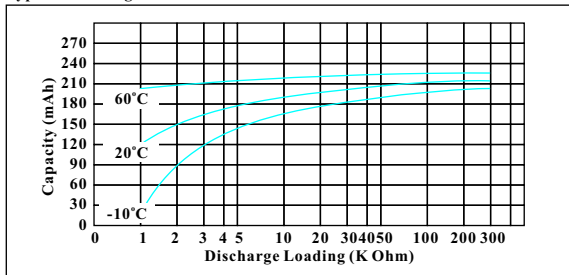
Typical Discharge Characteristics



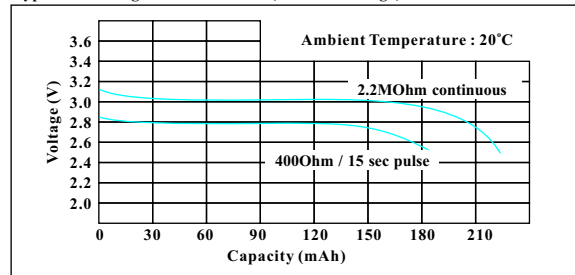
Typical Discharge Characteristics



Typical Discharge Characteristics



Typical Discharge Characteristics (Pulse Discharge)



Information is for references only.

Model : CR2032-1GU2
Version : 2.1

WELL LINK INDUSTRIAL LIMITED

MDC10B