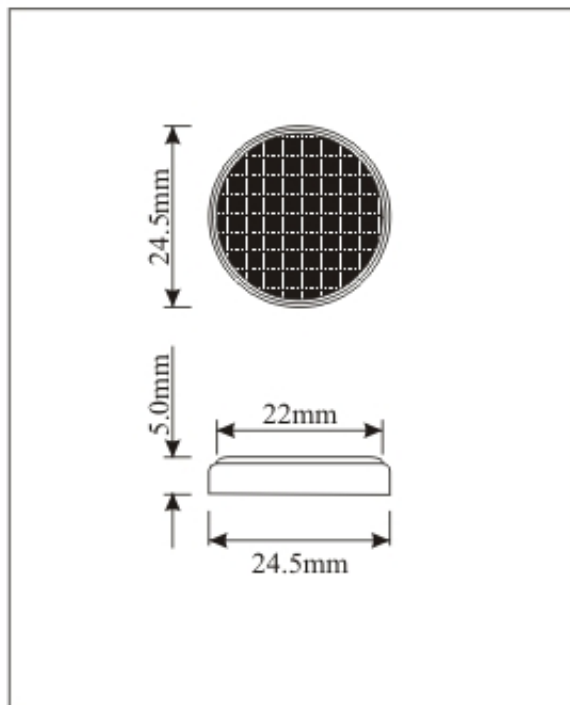
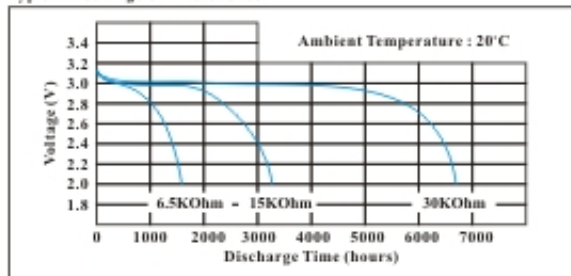


LITHIUM BATTERY

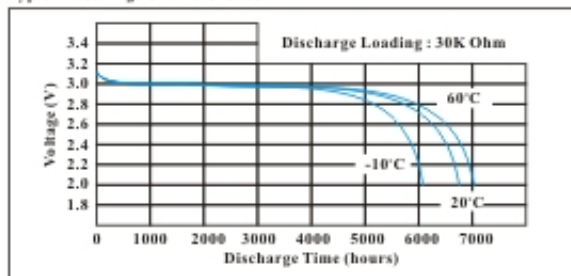
SPECIFICATIONS

Model	:	CR2450
Description	:	Lithium Coin Cell (LiMnO ₂), Mercury Free
Nominal Capacity	:	600mAh at 30K Ohm continuous discharge
Nominal Voltage	:	3.0 V
Cut-Off Voltage	:	2.0 V
Weight	:	6.7 g
Self-Life	:	1 year ex-factory
Recommended Drain	:	Pulse - 15mA Standard - 0.5mA Low - 0.004mA
Service Life	:	3350 hrs at 15K Ohm continuous discharge 6700 hrs at 30K Ohm continuous discharge
Application	:	Memory Backup, Electronic Watches, Calculators, Cameras, Electronic Translators, Low Power Cordless Application

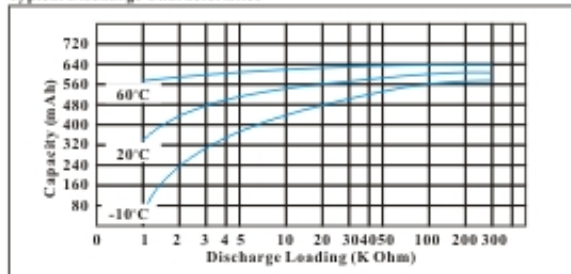
Typical Discharge Characteristics



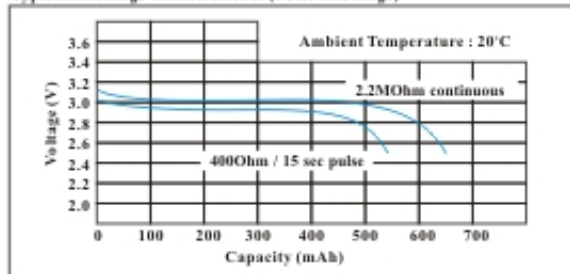
Typical Discharge Characteristics



Typical Discharge Characteristics



Typical Discharge Characteristics (Pulse Discharge)



Information is for references only.