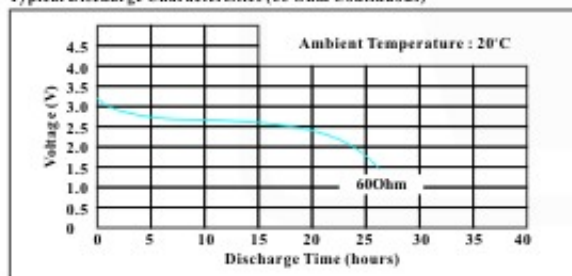


LITHIUM PHOTO BATTERY

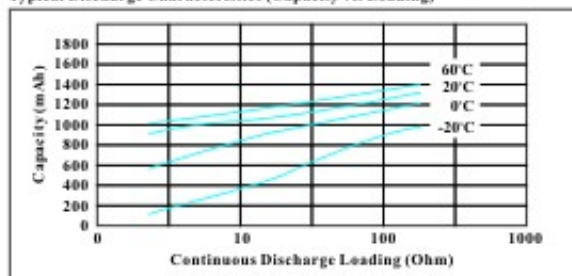
SPECIFICATIONS

Model	:	CR123A
Description	:	Lithium Photo Battery
Nominal Capacity	:	1300mAh at 60 Ohm continuous discharge
Nominal Voltage	:	3.0 V
Cut-Off Voltage	:	1.5 V
Weight	:	15 g
Self-Life	:	10 years ex-factory
Ambient Temperature	:	-20 - 60 degC
Service Life	:	26 hrs at 60 Ohm continuous discharge Over 650 cycle (Typ. 750) at 1.5A pulse drain
Application	:	Camera

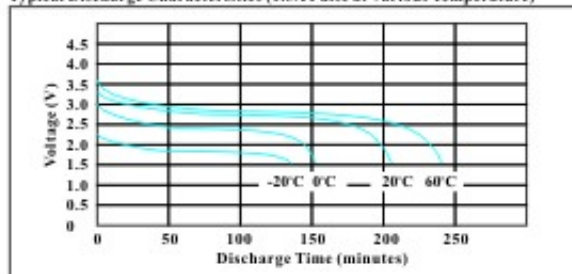
Typical Discharge Characteristics (60 Ohm Continuous)



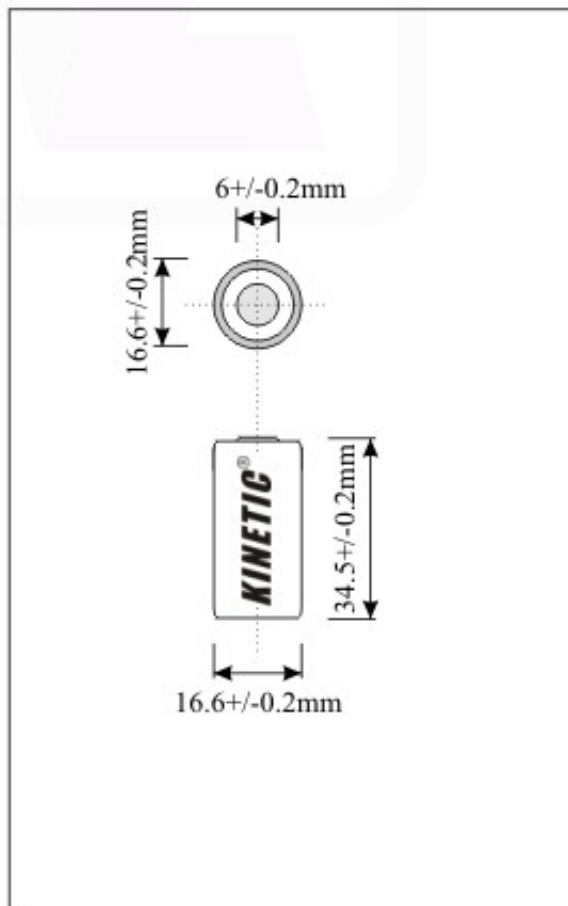
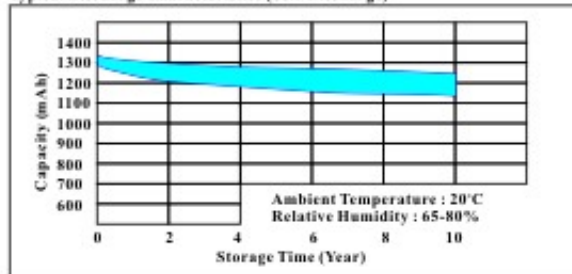
Typical Discharge Characteristics (Capacity vs. Loading)



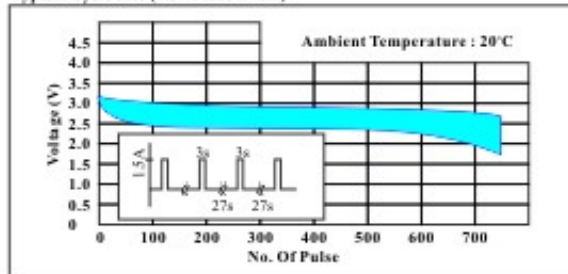
Typical Discharge Characteristics (1.5A Pulse at Various Temperature)



Typical Discharge Characteristics (Self-Discharge)



Typical Cycle Life (1.5A Pulse Drain)



Information is for references only.

Model : CR123A
Version : 2.1

WELL LINK INDUSTRIAL LIMITED

NBA01